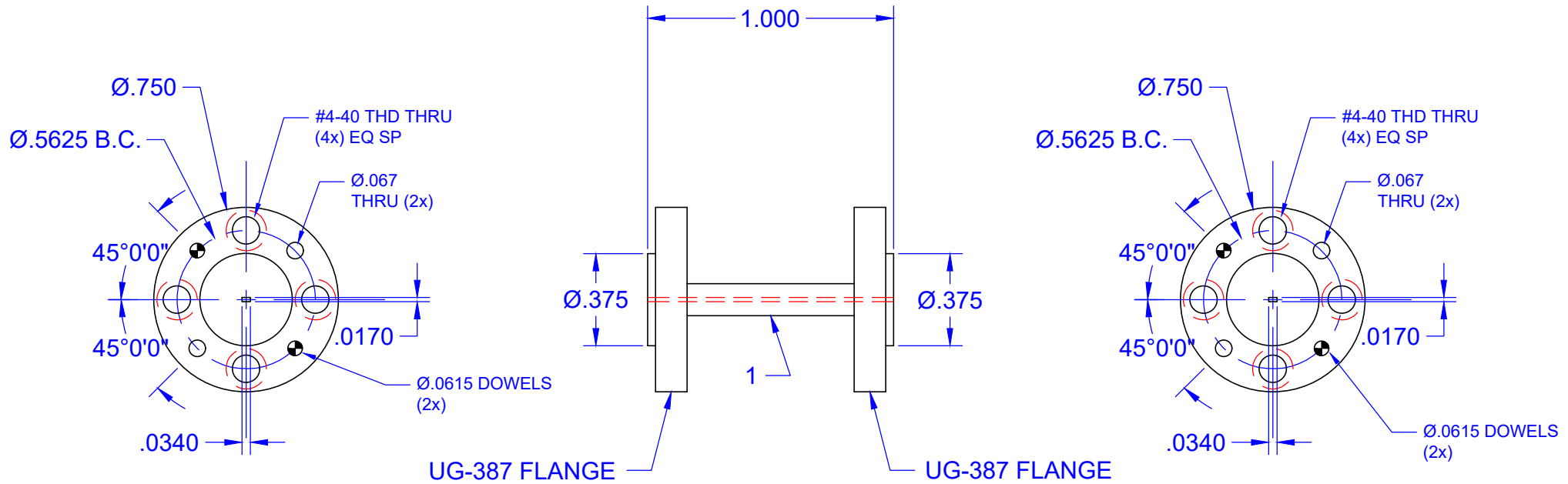


REVISIONS			
REV	DESCRIPTION	DATE	APPROVED
--	--	--	--



2		UG387 FLANGE	2
1		WR-4 WAVEGUIDE	1
QTY	PART NUMBER	DESCRIPTION	ITEM
UNLESS OTHERWISE SPECIFIED ALL SURFACES $\sqrt{32}$		 THIRD ANGLE PROJECTION	<b>Mi-Wave</b> Millimeter Products Inc.  <b>690J-1.00-387</b> <b>OUTLINE</b>
DIMENSIONS ARE IN INCHES TOLERANCES ARE: DECIMALS: .1234 +/- .0005 .123 +/- .005 .12 +/- .01 ANGLES: +/- .5 DEGREES			
ALL THREADS TO BE 2A OR 2B		DRAFTING: K.S.	
REF DWG #: 12171		APPROVED: M.S.	
		DATE: 7/20/2015	
		SHEET NO. 1 OF 1	SIZE A DWG NO 25896